

See Sheet 32

See Sheet 36

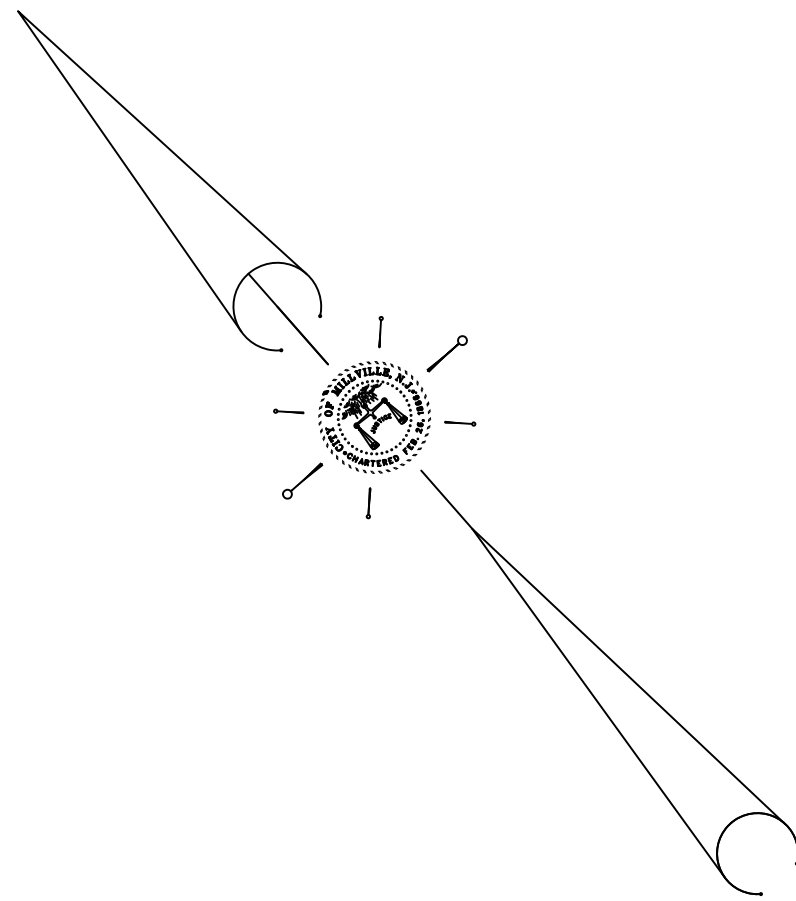
See Sheet 41

See Sheet 4

See Sheet 15

See Sheet 46

THIS SHEET IS A DIGITIZED COPY OF THE TAX MAP PREPARED BY ROBERT H. THOMAS SR., PLS AND DATED JUNE 2001. THE APPROVED ORIGINAL IS ON FILE IN THE CITY OF MILLVILLE MUNICIPAL ENGINEERS OFFICE.



REVISIONS		
DATE	NAME	NUMBER
5/01/12	Checked Sheet	20371
01/03/18	Bik 352, Lot 21	20371

NEW JERSEY DEPARTMENT OF THE TREASURY
 DIVISION OF TAXATION
 PROPERTY ADMINISTRATION
 APPROVED AS A TAX MAP PURSUANT TO THE AUTHORITY OF
 N.J.S.A. 54:1-15 & 54:9-1
 FOR THE DIRECTOR, DIVISION OF TAXATION
Jana D. Cole C.T.A.
 JAMES I. COLL, CHIEF LOCAL ASSESSMENT COMPLIANCE
William H. Black C.T.A.
 WILLIAM H. BLACK, SUPERVISING ENGINEER UTILITIES
 DATE: JAN 15 2012 SERIAL NO. 798

TAX ASSESSMENT MAP
CITY OF MILLVILLE
 CUMBERLAND COUNTY, NEW JERSEY
 SCALE: 1" = 100'
 JUNE 2001
 ROBERT H. THOMAS, SR., NJLS 20371
 2429 E. MAIN ST. MILLVILLE, NEW JERSEY